

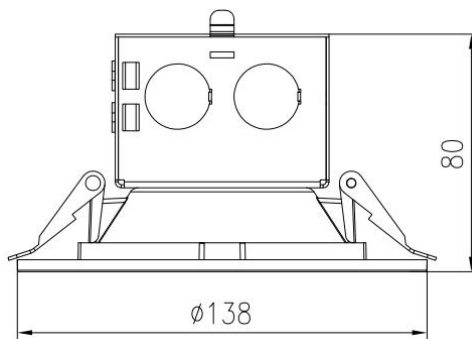


Taizhou JiaoGuang Lighting Co., Ltd.
 1 Wei Er Road, Taizhou City, Zhejiang Province, China 318000
 Tel:+86-576-89086611 Fax:+86-576-89086658
 E-mail: salesdept9@jiaoguang.com; www.jiaoguang.com

LED DOB DOWN LIGHT W/J-BOX (DIMMABLE)



D654-N-90



Size : Φ 138x80mm(5.43x3.15")

Characteristics

Item Number	D654-N-90-XXXX
Description	4" LED DOB Down Light W/J-Box
Voltage	120V AC
Power	10W
Dimmable	Yes
CRI	>90
Lumens	650lms
Color	2700/3000/4000/5000K
Life time	50,000 hours
Certificate	ETL,Energy Star,Title 24,FCC,Lighting Facts,LM79

Features

- No need can, connected directly to conduit
- DOB technology, without capacitor, no buzz problem
- Comply with National Electrical Code
- ETL,Energy Star and Title 24 approved
- Mercury-free
- Instant-on light
- Dry and Damp location
- 50,000 hours at 70% lumen maintenance rated life
- CCT:2700-5000K
- Easy installation
- 7 years manufacturer warranty

Application





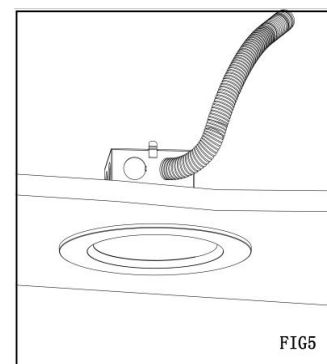
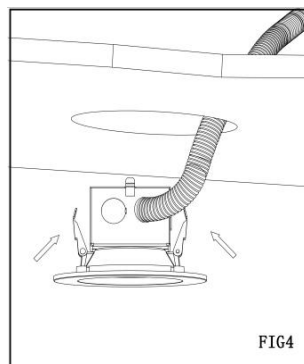
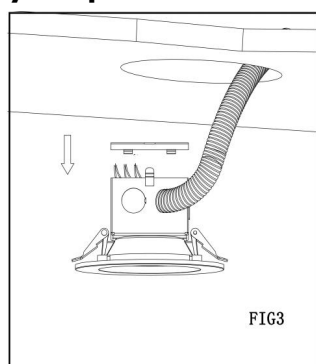
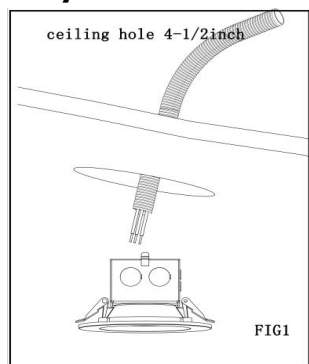
Taizhou JiaoGuang Lighting Co., Ltd.

1 Wei Er Road, Taizhou City, Zhejiang Province, China 318000

Tel:+86-576-89086611 Fax:+86-576-89086658

E-mail: salesdept9@jiaoguang.com; www.jiaoguang.com

Easy to Install in 4 Easy Steps:



1. Shut off power before installation, Cut a corresponding hole in the ceiling. A template is provided to assist with laying out the hole location. When running the supply wires, allow an additional 18 in. of wire at each installation in order to make the electrical connections on the room side of the ceiling hole

2. Remove the Junction Box Screw(s) holding the Junction Box Cover. Pass the supply wire(s) through the appropriate knockout hole on Junction Box. Make the electrical connections to fit inside Junction Box following the ELECTRICAL CONNECTIONS. Make sure all connections are secure, tuck all wires inside Junction Box and reinstall Junction Box Cover using Junction Box Screws

3. Press the top portion of the Remodel Clips against the side of the Housing Assembly.

4. Push the Housing Assembly with the top side of the Remodel Clips through the hole until tight. Continue to push the Housing Assembly until the fixture snaps into place with the trim tight against the ceiling surface.

Packaging

Size	Carton Size	Pcs/CTN	N.W.	G.W.
4"	31x27.5x30.5cm/12.4x10.8x12"	12	5kgs/11.0 lb	6kgs/13.2 lb

Production & Facilities

