

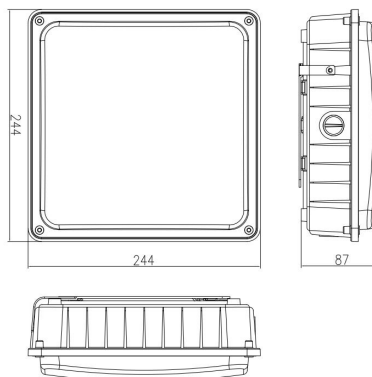


Taizhou JiaoGuang Lighting Co., Ltd.
 1 Wei Er Road, Taizhou City, Zhejiang Province, China 318000
 Tel:+86-576-89086656/25 Fax:+86-576-89086658
 E-mail: salesdept8@jiaoguang.com; www.jiaoguang.com

CANNOPY LIGHT



CN302



Size : Φ 230x136mm(9.06x5.35")

Characteristics

Item Number	CN302
Description	Canopy light
Voltage	120-277V AC
Power	70W
Dimmable	Yes
LED Type	SMD
CRI	>80
Lumens	6600 lms
Color	27/30/35/40/50/57k
Life time	50,000 hours
Certificate	ETL,Energy Star,FCC,Lighting Facts,LM79,LM80

Features

- Energy efficient: save up to 80% in energy costs
- High lumen output
- Mercury-free
- Instant-on light
- Wet location
- 50,000 hours at 70% lumen maintenance rated life
- CCT:2700-6000K
- 5 years manufacturer warranty

Application





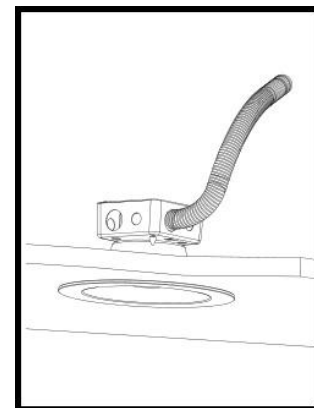
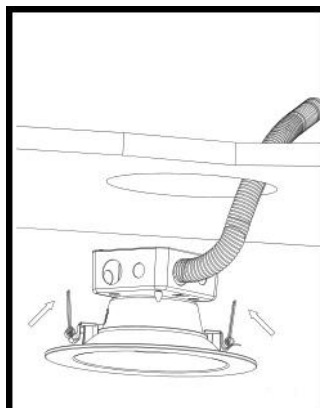
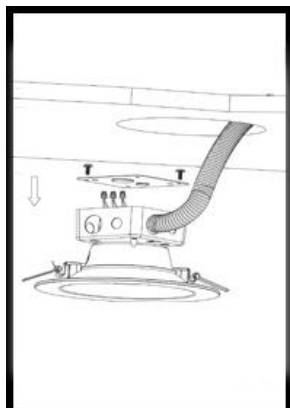
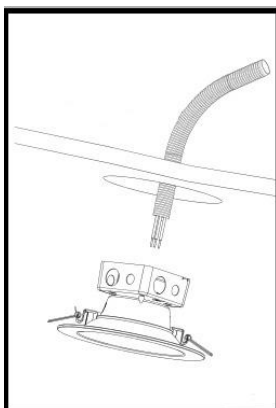
Taizhou JiaoGuang Lighting Co., Ltd.

1 Wei Er Road, Taizhou City, Zhejiang Province, China 318000

Tel:+86-576-89086656/25 Fax:+86-576-89086658

E-mail: salesdept8@jiaoguang.com; www.jiaoguang.com

Easy to Install in 4 Easy Steps:



1. Shut off power before installation. Cut a corresponding hole in the ceiling. A template is provided to assist with laying out the hole location. When running the supply wires(s), allow an additional 18 in. of wire at each installation in order to make the electrical connections on the room side of the ceiling hole
2. Remove the Junction Box Screw(s) holding the Junction Box Cover. Pass the supply wire(s) through the appropriate knockout hole on Junction Box. Make the electrical connections to fit inside Junction Box following the ELECTRICAL CONNECTIONS. Make sure all connections are secure, tuck all wires inside Junction Box and reinstall Junction Box Cover using Junction Box Screws
3. Press the top portion of the Remodel Clips against the side of the Housing Assembly.
4. Push the Housing Assembly with the top side of the Remodel Clips through the hole until tight. Continue to push the Housing Assembly until the fixture snaps into place with the trim tight against the ceiling surface..

Packaging

Size	Carton Size	Pcs/CTN	N.W.	G.W.
6"	48x44x25.5cm/18.9x17.32x10.04"	6	5kgs/11.02lb	6kgs/13.23 lb

Production & Facilities

